

## Evolution Series

### Veneer Jamb – Non-Rated

# J1300A

#### SINGLE RABBET JAMB (3/4")

- 1 1/32" wood veneer faces
- 2 3/4" (19 mm) plywood veneer
- 3 Hardwood backing
- 4 1/32" wood veneer faces
- 5 5/8" (15.8 mm) plywood veneer door stop
- 6 Door
- 7 Corner rabbet type

#### SPECIFICATIONS

**MINIMUM WALL THICKNESS:** 3 5/8" (92 mm)

**ASSEMBLY:** Please refer to installation instructions

#### MAXIMUM OPENING

- Single: 48" (1219 mm) x 120" (3048 mm)
- Double: 96" (2438 mm) x 120" (3048 mm)

**CASING:** According to your needs

**SHIPPING:** Unassembled (Knock Down)

**WRAPPING:** Each frame will be shipped in a cardboard box, with 1/32" (1 mm) foam and bundle wrapped.

**Installation instructions and peel-and-stick door bumpers are included (mandatory)**

**WARRANTY: 3 years**

#### NOTE

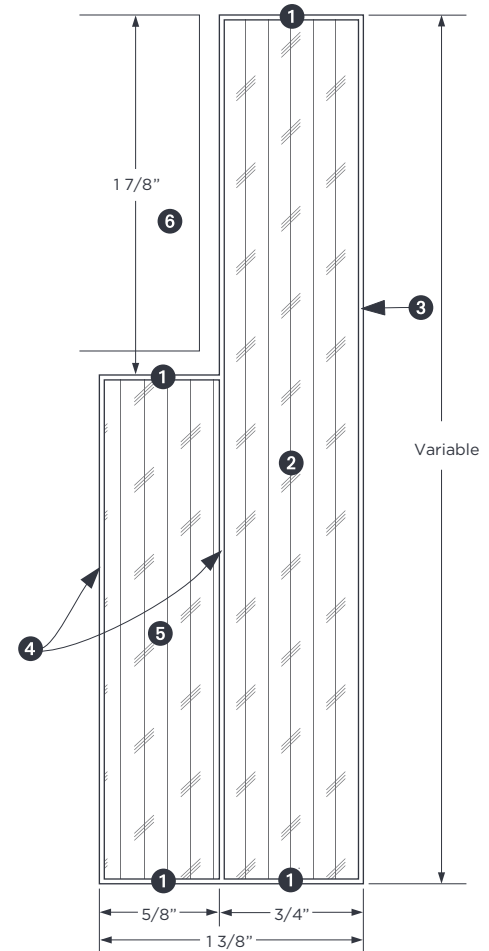
- Mounting brackets are suggested for proper installation.

#### OPTIONS

- Other configurations upon request
- Mounting brackets available
- Pre-machining
- Pre-finishing
- Subject to evaluation. Contact us.

#### LEED CONTRIBUTION OPTIONS

- Recycled content
- FSC (on request)
- NAUF or ULEF (on request)



#### JAMB ASSEMBLY

Head and jamb

