

PRODUCT SPECIFICATIONS

SERIE #8200 DOOR THICKNESS	Door Thickness: 1-3/4"
STILES	Clear low-density wood stile for a total width of 1-3/16" (30 mm); MO: Manufacturer's choice. Matching edge and Veneer edge not available
TOP AND BOTTOM RAILS	1-3/16" (30 mm) finger joint low-density wood or SCL or laminated strand lumber (LSL), manufacturer's choice
CORE	Solid Wood Based Particleboard Density of 32 lbs per cubic foot Complies with ANSI A208-1 standards
LOCK BLOCK	Integrated
ADHESIVE	Type 1 PVA Cross-link
FACES	Primed embossed 2 panel commercial smooth designs
FINISH	Faces are factory-primed Optional standard factory paint colours available Custom colour options available upon request
USE	Interior
WARRANTY	3 years
NOTE	Dimensions are nominal before trimming
OPTIONS	20 Minute ITS-WH (1-3/4" Only) specify 8220 Series

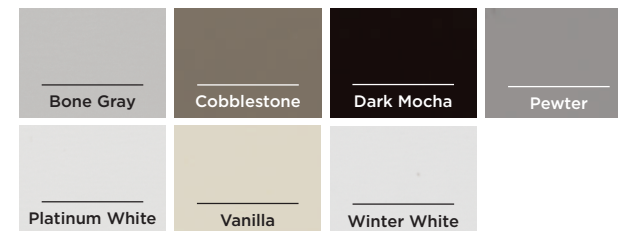
PAINTING OPTIONS

Start with our top-of-the-line primer

Panels come factory primed as a standard finish. Consider warranted factory painting with our water-based paint as an option for a smooth uniform finish and less work on the job site.

Versatility to complement your colour scheme

You have our seven standard designer colours to choose from. Or you can go with one of our custom colour-matching options.



WHY CHOOSE FACTORY FINISHING?

✓ CONSISTENCY

- Uniform colour, texture and coating consistency
- Paint applied and cured with state-of-the-art modern spray system designed for optimal flash-drying and cooling cycles, providing quality finish with greater durability than field-painted doors

✓ EFFICIENCY

- Expedited project completion with production scheduled factory-finishing
- Lower finishing costs, as jobsite preparation, painting and cleanup are not necessary

✓ RELIABILITY

- Factory-controlled environment that reduces contact with dust and dirt
- Enhanced design options afforded by reliable and repeatable factory colour matching

BAILLARGEON®
by Masonite Architectural

INTRODUCING **8200/8220-MO**
NEW 38" (965 MM)
COMMERCIAL MOULDED
PANEL DOORS


MASONITE®
ARCHITECTURAL

Does your next senior living project call for interior doors with more personality?

Are you familiar with all of the benefits a moulded panel door can provide for your project?

Grab them today at:
masonitearchitectural.ca



MASONITE®
ARCHITECTURAL

Masonite Architectural
201 N Franklin Street, Suite 300
Tampa, FL 33602
877.332.4484
masonitearchitectural.ca

BAILLARGEON®
by Masonite Architectural

430, route 108 Ouest
Saint-Éphrem (Quebec)
G0M 1R0 Canada
Phone: 1.800.804.5666
Fax: 1.800.804.5688
www.baillargeondors.com

Printed in Canada
© 2020 Masonite Architectural
MA_LIT-4026_V2

Why introduce this product now?

Canadian men and women rank among the highest life expectancies in the world. That means more and more Canadians are living past 80 years old.

This is why our building codes are now addressing more of the specific needs of our country's senior living communities. One of the code changes requires doorways to be more open to allow easy access to those in wheel chairs. To meet this requirements, doors in wider widths are needed.

At Masonite Architectural, we're always looking for ways to serve you and your clients better and make your job a little easier.

We developed the new 38" (965 mm) moulded panel door to answer this call.



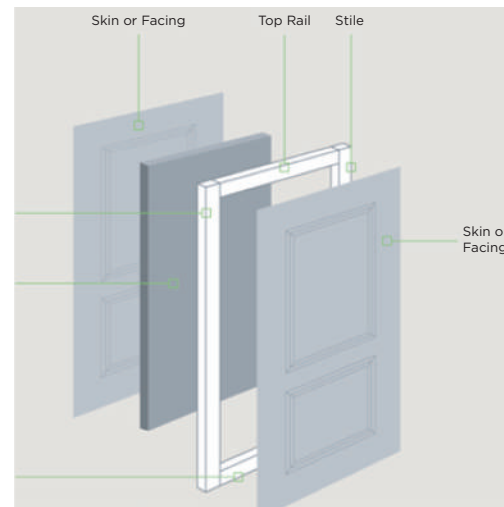
Helps you meet the new codes with style for your next senior living facility.

Our 38" (965 mm) Moulded Panel Doors are your answer to providing your clients with attractive, code-compliant doors to complement their living spaces. Until now, to get a 38" (965 mm) wide door you were limited to flush wood doors with applied mouldings or hollow metal doors. With this new solution, you can specify doors that are not only durable, but look great and will enhance your building's interior design.

WHAT'S THE IMPACT OF RECENT BUILDING CODE CHANGES ON YOUR DOORS?

Article 3.3.4.11 of the newest Canadian Building Codes requires retirement homes to meet the following:

- **" Minimum clear width for doors (serving residents) - 860 mm "**
- This means you must specify a door type available in 38" (965 mm) widths to meet this new clear width requirement.



Composition of our Moulded Panel Door

AVAILABLE DESIGNS AND DIMENSIONS:

DESIGNS:

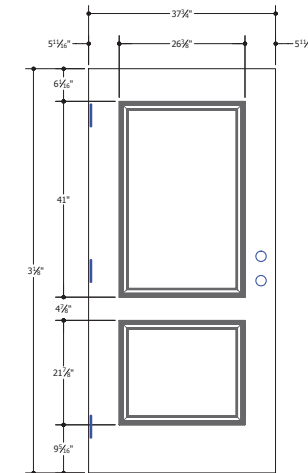
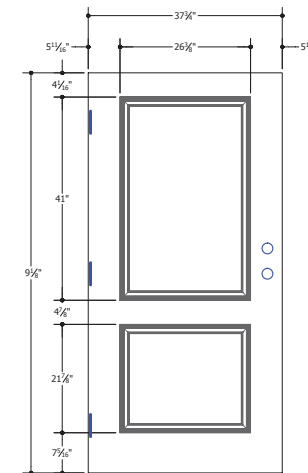
Our Moulded Panel doors are currently available in one panel design: 2 panels

DIMENSIONS:

Width: 38" (965 mm)
Standard height: 7'- 0" or 6'- 8" (2134 mm or 2032 mm)

THICKNESSES:

1-3/4" (20 min. or non-rated particle core)



MASONITE. THE STORY BEHIND MASONITE ARCHITECTURAL... BUILT ON A CENTURY OF EXPERIENCE

Shaping Better Environments

At Masonite Architectural, we believe a door is more than just a door. It's a central fixture of every space, and can dramatically shape the built environment.

Yet, when it comes to choosing doors the choices can be overwhelming for owners, builders and architects. Many architects and builders are so entrenched in other project decisions they don't know where to start...

We're here to support you with knowledge and guidance from our market experts - so you can choose the right doors with confidence. To create successful buildings and shape better environments.

ADVANTAGES OF A 38" (965 MM) MOULDED PANEL DOOR

SMOOTH EMBOSSED PANELS

2 panel

COMMERCIAL QUALITY

- Premachining allowed
- Surface & concealed overhead stop
- Surface & concealed closer arm
- Magnetic switch
- Viewers
- Concealed automatic door bottom
- Cylindrical lock & dead lock 6" c/I Min.
- Mortise lock maximum cut-out size (1.0625" x 4.682" x 6.750")

SOLID CORE CONSTRUCTION

DURABILITY

Solid core construction resists warping, shrinking and cracking

PEACE OF MIND

3-YEAR WARRANTY

MEETS THE CODES

Satisfies CDA (Canadians with Disabilities Act) requirements